

# CN200 8 inch CUTTER SUCTION DREDGER



The CN X-dredger is equipped with state-of-the-art technology, including the following key features:

- low maintenance and efficient power distribution with diesel engine
- an easy execution dredge pump for easy maintenance
- environmentally friendly solutions, such as LED lighting
- easy maintenance using relays controls
- easy to operate for a single person from the operator's seat
- International Major Brand of Core Unit

## RELIABLE AND EFFICIENT

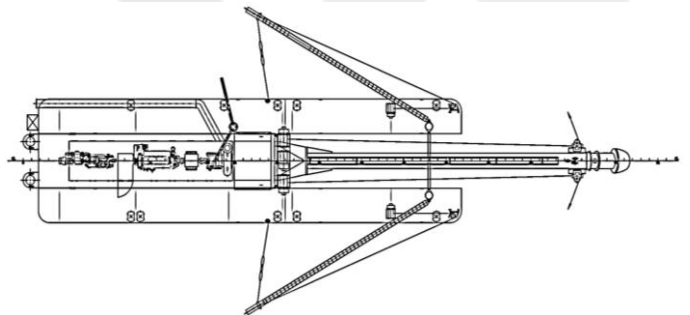
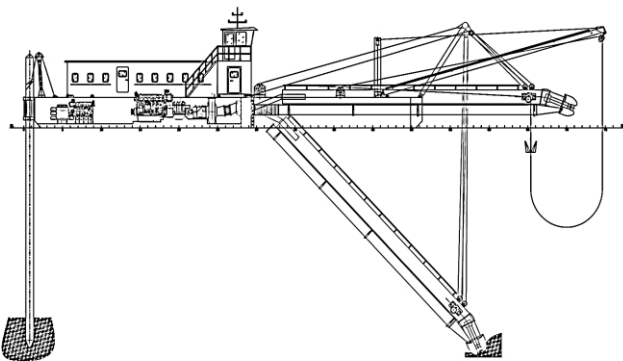
The X-dredger is well known for its robust construction, reliable operation and excellent performance. To date, The X-dredger has supplied more than 200 of these standard cutter suction dredgers in East Asia, Southeast Asia, Asia-Pacific, Middle East, South America, etc.

## SAFE TRANSPORT AND EFFICIENT DELIVERY

CN X-dredgers can be dismantled for transport via road, rail or sea. A wide range of optional equipment is available, as well as complementary auxiliary equipment, such as work boats and discharge pipelines. These vessels are mostly custom built.

## SERVICE AND SUPPORT

X-dredger can provide a complete package of spare parts, maintenance support, equipment training programmes, dredging advisory services and dredge operators for hands-on instruction and commissioning.



## MAIN PARAMETERS

Dredging depth	8M
Discharge diameter	250MM
Total power	330KW

## DIMENSIONS

Hull size	24.5x5.5x1.48m
Powerhouse dome size	12.95x3.2x1.48m
Balance compartment size	16.95x1.0x1.48m
Mean draught with full bunkers	0.8m
Maximum standard dredging depth	8m
Workload	200 m <sup>3</sup> /h
Total weight	50T

## ENGINE

Main engine brand	CUMMINS
Main engine power	230±20kw
Main engine speed	2100r/min
Hydraulic Diesel Engine brand	CUMMINS
Hydraulic Diesel Engine power	100kw
Hydraulic Diesel Engine speed	1500r/min

## DREDGE PUMP

Brand	SHIJIAZHUANG
Model	10/8F-G
Flow	1000 m <sup>3</sup> /h
Head	46m
Speed	1000 r/min
Efficiency	60%
Discharge pipe	250mm

## CUTTER

Diameter	1000mm
Speed	16.5/33 r/min
Power	50kw

## SPUD

Diameter*Thickness	Φ325*12
Length	11.5m
Quantity	2pcs
Weight	2.22T

## SIDE WINCH

First layer pulling force	40KN
Wire rope diameter	16mm
Quantity	2 pcs

## BRIDGE WINCH

First layer pulling force	40KN
Wire rope diameter	16mm
Quantity	1

## ANCHOR SYSTEM

Length of anchor rod	6m
Anchor winch	20KN
Wire rope diameter	12mm

## OTHER

Hydraulic system	Rexroth
Electrical components	ABB
Anchor weight	200KG

## PROTECTION CLASS OF ELECTRICAL EQUIPMENT

Lunge	IP22
Engine compartment	IP44
Bottom of mechanical room	IP56

## OTHER FEATURES

- Standard design, allowing for short delivery times and competitive pricing
- Spare parts available from stock
- Fresh-water engine cooling system
- Can completely assembled and fully tested in river before delivery
- Dredge pump driven through integrated bearing block, clutch and reduction gearbox easy and fast assembly and dismantling
- Ready for operation on arrival at site
- Hydraulic ram for ladder hoisting
- Special tools are supplied for connecting and disconnecting pontoons and the cutter ladder, and for maintenance of the dredge pump and diesel engine
- Wide range of services and optional equipment available (including work boats, boosters and pipelines).

## OPTIONAL

- Swing Angle Measurement
- Air conditioning
- Generator set
- Increased discharge pipeline diameter
- Increased dredging depth
- Life-cycle support packages (incl. training, technical support, etc.)
- Optional packages: HSE (health, safety and environment) and nautical.

## SHANGHAI CENENG ELECTRIC CO., LTD

Address: No. 55 Aona Road, Shanghai, China  
Tel: +86 (21) 58379916  
E-mail: sales@xdredger.com

### Indonesia branch:

## PT. ADVANCE ELECTRIC MACHINERY

Address: 21th Floor Unit C JL. pasar Minggu, Pasar Minggukota Adm. Jakarta  
Tel: +62 822-4624-4728(Mr. Kukuh Iksan)  
E-mail: kukuh@xdredger.com

Website: [www.cnelectric.cn](http://www.cnelectric.cn) [www.xdredger.com](http://www.xdredger.com)



**X DREDGER**

# Custom Dredger Solution

German philosopher Leibniz said, "There are no two identical leaves in the world." This sentence seems to be equally applicable to dredging projects. Due to the unique geographical environment, construction purpose and capital budget of each dredging project, our technical experts need to customize better engineering solutions for each engineering project.

The service objectives of X dredger are:

- Make the dredging technology more suitable for the personalized needs of the project;
- Make the equipment performance and service higher than customers' expectations;
- Let customers look forward to continuous cooperation with X dredger;

Indeed, in order to achieve the above objectives, we cannot do without your sincere support. We hope you can fill in the following information carefully, so that x dredger can provide you with dredging scheme more efficiently.

1. **Project location and name**

:

2. **Project type (multiple choices)**

- river dredging  Reservoir Expansion  Port dredging  Wetland construction  
 Water, grass and river waste treatment  Sand mining  Coastal beach reclamation  
 Wetland park construction  Others

3. **Equipment type requirements (multiple choices)**

- Dredger  Sand dredger  Excavator floating platform  Working boat  Dredging pipeline  
 Cleaning and floating vessel  Amphibious excavator  Dredging accessories  Excavator accessories  
 Others

4. **Planned start time of the project :**

5. **Contact information**

\* Country:

\* Corporate name:

\* Name:

\* Email:

\* Telephone:

6. **Leaving a message.**

:



**X DREDGER**

**SHANGHAI X-DREDGER CO., LTD**

WHATSAPP / WECHAT: 0086 15902193567

E-MAIL: [GUANXU@126.COM](mailto:GUANXU@126.COM)

HEAD OFFICE: NO. 55 AONA ROAD, PUDONG NEW  
AREA, SHANGHAI

PRODUCTION BASE: QINGZHOU, SHANDONG, CHINA