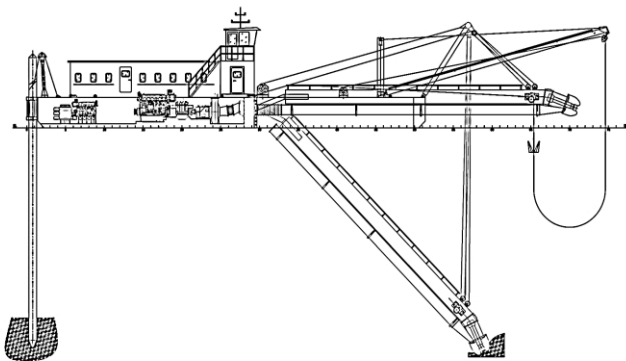


CN150 6 inch CUTTER SUCTION DREDGER



The CN X-dredger is equipped with state-of-the-art technology, including the following key features:

- low maintenance and efficient power distribution with diesel engine
- an easy execution dredge pump for easy maintenance
- environmentally friendly solutions, such as LED lighting
- easy maintenance using relays controls
- easy to operate for a single person from the operator's seat
- International Major Brand of Core Unit



RELIABLE AND EFFICIENT

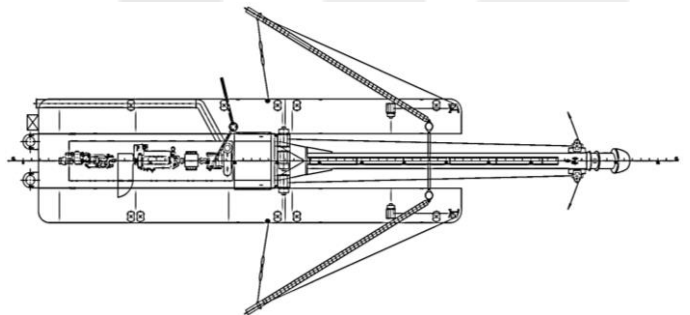
The X-dredger is well known for its robust construction, reliable operation and excellent performance. To date, The X-dredger has supplied more than 200 of these standard cutter suction dredgers in East Asia, Southeast Asia, Asia-Pacific, Middle East, South America, etc.

SAFE TRANSPORT AND EFFICIENT DELIVERY

CN X-dredgers can be dismantled for transport via road, rail or sea. A wide range of optional equipment is available, as well as complementary auxiliary equipment, such as work boats and discharge pipelines. These vessels are mostly custom built.

SERVICE AND SUPPORT

X-dredger can provide a complete package of spare parts, maintenance support, equipment training programmes, dredging advisory services and dredge operators for hands-on instruction and commissioning.



MAIN PARAMETERS

Dredging depth	6M
Discharge diameter	200MM
Total power	160KW

DIMENSIONS

Hull size	16.5x3.2x1.26m
Powerhouse dome size	/
Balance compartment size	/
Mean draught with full bunkers	0.7m
Maximum standard dredging depth	6m
Workload	90 m ³ /h
Total weight	23T

ENGINE

Main engine brand	CUMMINS
Main engine power	160±20kw
Main engine speed	1500r/min
Hydraulic Diesel Engine brand	CUMMINS
Hydraulic Diesel Engine power	/
Hydraulic Diesel Engine speed	/

DREDGE PUMP

Brand	SHIJIAZHUANG
Model	8/6E-G
Flow	450 m ³ /h
Head	39m
Speed	1400 r/min
Efficiency	60%
Discharge pipe	200mm

CUTTER

Diameter	800mm
Speed	16.5/33 r/min
Power	38kw

SPUD

Diameter*Thickness	Φ273*12
Length	8.5m
Quantity	2pcs
Weight	1.4T

SIDE WINCH

First layer pulling force	30KN
Wire rope diameter	14mm
Quantity	2 pcs

BRIDGE WINCH

First layer pulling force	/
Wire rope diameter	/
Quantity	/

ANCHOR SYSTEM

Length of anchor rod	/
Anchor winch	/
Wire rope diameter	/

OTHER

Hydraulic system	Rexroth
Electrical components	ABB
Anchor weight	100KG

PROTECTION CLASS OF ELECTRICAL EQUIPMENT

Lunge	IP22
Engine compartment	IP44
Bottom of mechanical room	IP56

OTHER FEATURES

- Standard design, allowing for short delivery times and competitive pricing
- Spare parts available from stock
- Fresh-water engine cooling system
- Can completely assembled and fully tested in river before delivery
- Dredge pump driven through integrated bearing block, clutch and reduction gearbox easy and fast assembly and dismantling
- Ready for operation on arrival at site
- Hydraulic ram for ladder hoisting
- Special tools are supplied for connecting and disconnecting pontoons and the cutter ladder, and for maintenance of the dredge pump and diesel engine
- Wide range of services and optional equipment available (including work boats, boosters and pipelines).

OPTIONAL

- Swing Angle Measurement
- Air conditioning
- Generator set
- Increased discharge pipeline diameter
- Increased dredging depth
- Life-cycle support packages (incl. training, technical support, etc.)
- Optional packages: HSE (health, safety and environment) and nautical.

SHANGHAI CENENG ELECTRIC CO., LTD

Address: No. 55 Aona Road, Shanghai, China
Tel: +86 (21) 58379916
E-mail: sales@xdredger.com

Indonesia branch:

PT. ADVANCE ELECTRIC MACHINERY

Address: 21th Floor Unit C JL. pasar Minggu, Pasar Minggukota Adm. Jakarta
Tel: +62 822-4624-4728(Mr. Kukuh Iksan)
E-mail: kukuh@xdredger.com

Website: www.cnelectric.cn www.xdredger.com



X DREDGER

Custom Dredger Solution

German philosopher Leibniz said, "There are no two identical leaves in the world." This sentence seems to be equally applicable to dredging projects. Due to the unique geographical environment, construction purpose and capital budget of each dredging project, our technical experts need to customize better engineering solutions for each engineering project.

The service objectives of X dredger are:

- Make the dredging technology more suitable for the personalized needs of the project;
- Make the equipment performance and service higher than customers' expectations;
- Let customers look forward to continuous cooperation with X dredger;

Indeed, in order to achieve the above objectives, we cannot do without your sincere support. We hope you can fill in the following information carefully, so that x dredger can provide you with dredging scheme more efficiently.

1. **Project location and name**

:

2. **Project type (multiple choices)**

- river dredging Reservoir Expansion Port dredging Wetland construction
 Water, grass and river waste treatment Sand mining Coastal beach reclamation
 Wetland park construction Others

3. **Equipment type requirements (multiple choices)**

- Dredger Sand dredger Excavator floating platform Working boat Dredging pipeline
 Cleaning and floating vessel Amphibious excavator Dredging accessories Excavator accessories
 Others

4. **Planned start time of the project :**

5. **Contact information**

* Country:

* Corporate name:

* Name:

* Email:

* Telephone:

6. **Leaving a message.**

:

Custom Dredger Solution

German philosopher Leibniz said, "There are no two identical leaves in the world." This sentence seems to be equally applicable to dredging projects. Due to the unique geographical environment, construction purpose and capital budget of each dredging project, our technical experts need to customize better engineering solutions for each engineering project.

The service objectives of X dredger are:

- Make the dredging technology more suitable for the personalized needs of the project;
- Make the equipment performance and service higher than customers' expectations;
- Let customers look forward to continuous cooperation with X dredger;

Indeed, in order to achieve the above objectives, we cannot do without your sincere support. We hope you can fill in the following information carefully, so that x dredger can provide you with dredging scheme more efficiently.

1. **Project location and name**

:

2. **Project type (multiple choices)**

- river dredging Reservoir Expansion Port dredging Wetland construction
 Water, grass and river waste treatment Sand mining Coastal beach reclamation
 Wetland park construction Others

3. **Equipment type requirements (multiple choices)**

- Dredger Sand dredger Excavator floating platform Working boat Dredging pipeline
 Cleaning and floating vessel Amphibious excavator Dredging accessories Excavator accessories
 Others

4. **Planned start time of the project :**

5. **Contact information**

* Country:

* Corporate name:

* Name:

* Gender: Male Female

* Email:

* Telephone:

6. **Leaving a message.**

:



X DREDGER

SHANGHAI X-DREDGER CO., LTD

WHATSAPP / WECHAT: 0086 15902193567

E-MAIL: GUANXU@126.COM

HEAD OFFICE: NO. 55 AONA ROAD, PUDONG NEW
AREA, SHANGHAI

PRODUCTION BASE: QINGZHOU, SHANDONG, CHINA