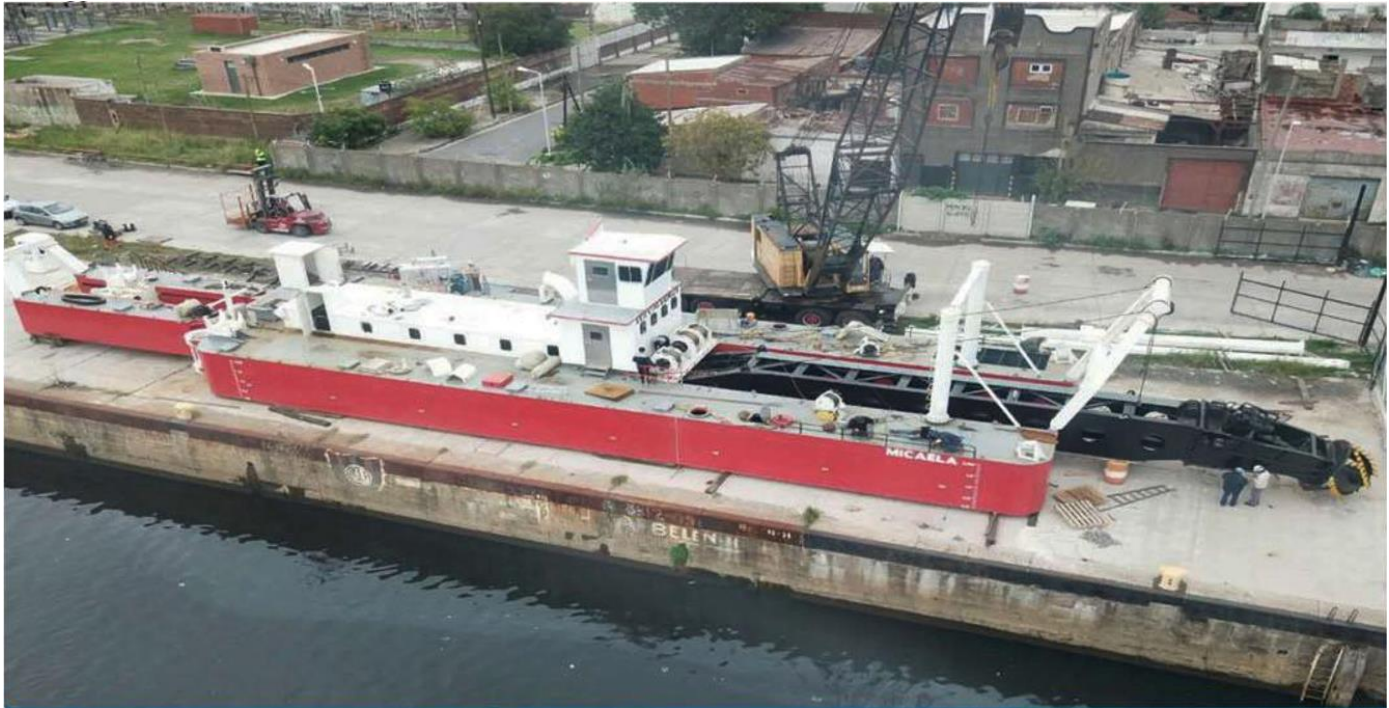


# CN500 20inch CUTTER SUCTION DREDGER



The CN X-dredger is equipped with state-of-the-art technology, including the following key features:

- low maintenance and efficient power distribution with diesel engine
- an easy execution dredge pump for easy maintenance
- environmentally friendly solutions, such as LED lighting
- easy maintenance using relays controls
- easy to operate for a single person from the operator's seat
- International Major Brand of Core Unit

## RELIABLE AND EFFICIENT

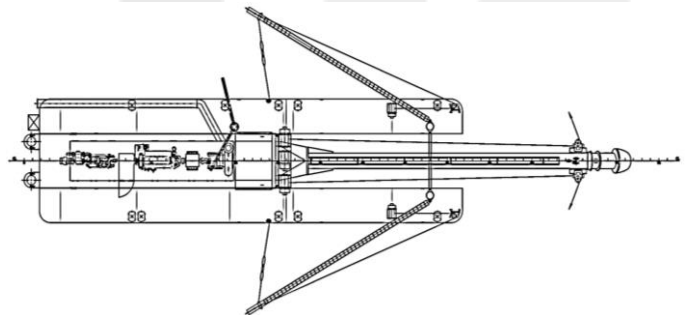
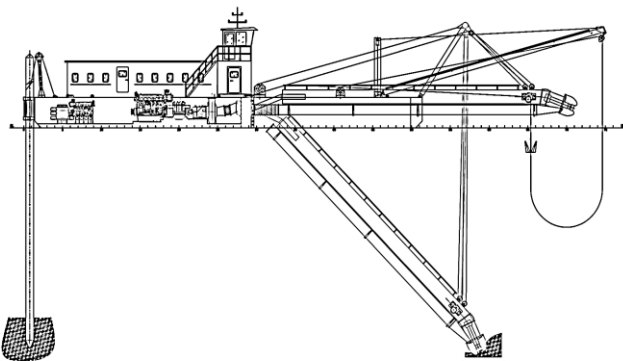
The X-dredger is well known for its robust construction, reliable operation and excellent performance. To date, The X-dredger has supplied more than 200 of these standard cutter suction dredgers in East Asia, Southeast Asia, Asia-Pacific, Middle East, South America, etc.

## SAFE TRANSPORT AND EFFICIENT DELIVERY

CN X-dredgers can be dismantled for transport via road, rail or sea. A wide range of optional equipment is available, as well as complementary auxiliary equipment, such as work boats and discharge pipelines. These vessels are mostly custom built.

## SERVICE AND SUPPORT

X-dredger can provide a complete package of spare parts, maintenance support, equipment training programmes, dredging advisory services and dredge operators for hands-on instruction and commissioning.



## MAIN PARAMETERS

Dredging depth	15M
Discharge diameter	600MM
Total power	1740KW

## DIMENSIONS

Hull size	39x8.8x2.25m
Powerhouse dome size	17.5x3.8x2.25m
Balance compartment size	28x2.5x2.25m
Mean draught with full bunkers	1.25m
Maximum standard dredging depth	15m
Workload	1000 m <sup>3</sup> /h
Total weight	230T

## ENGINE

Main engine brand	CUMMINS
Main engine power	1335±20kw
Main engine speed	/
Hydraulic Diesel Engine brand	CUMMINS
Hydraulic Diesel Engine power	405kw
Hydraulic Diesel Engine speed	/

## DREDGE PUMP

Brand	SHIJIAZHUANG
Model	DN500
Flow	5000 m <sup>3</sup> /h
Head	54m
Speed	375 r/min
Efficiency	76%
Discharge pipe	600mm

## CUTTER

Diameter	2000mm
Speed	11/22/33 r/min
Power	260 kw

## SPUD

Diameter*Thickness	Φ720*25
Length	21m
Quantity	2pcs
Weight	18.65T

## SIDE WINCH

First layer pulling force	100KN
Wire rope diameter	24mm
Quantity	2 pcs

## BRIDGE WINCH

First layer pulling force	120KN
Wire rope diameter	26mm
Quantity	1

## ANCHOR SYSTEM

Length of anchor rod	15m
Anchor winch	40KN
Wire rope diameter	16mm

## OTHER

Hydraulic system	Rexroth
Electrical components	ABB
Anchor weight	1500KG

## PROTECTION CLASS OF ELECTRICAL EQUIPMENT

Lunge	IP22
Engine compartment	IP44
Bottom of mechanical room	IP56

## OTHER FEATURES

- Standard design, allowing for short delivery times and competitive pricing
- Spare parts available from stock
- Fresh-water engine cooling system
- Can completely assembled and fully tested in river before delivery
- Dredge pump driven through integrated bearing block, clutch and reduction gearbox easy and fast assembly and dismantling
- Ready for operation on arrival at site
- Hydraulic ram for ladder hoisting
- Special tools are supplied for connecting and disconnecting pontoons and the cutter ladder, and for maintenance of the dredge pump and diesel engine
- Wide range of services and optional equipment available (including work boats, boosters and pipelines).

## OPTIONAL

- Swing Angle Measurement
- Air conditioning
- Generator set
- Increased discharge pipeline diameter
- Increased dredging depth
- Life-cycle support packages (incl. training, technical support, etc.)
- Optional packages: HSE (health, safety and environment) and nautical.

## SHANGHAI CENENG ELECTRIC CO., LTD

Address: No. 55 Aona Road, Shanghai, China  
Tel: +86 (21) 58379916  
E-mail: sales@xdredger.com

### Indonesia branch:

## PT. ADVANCE ELECTRIC MACHINERY

Address: 21th Floor Unit C JL. pasar Minggu, Pasar Minggukota Adm. Jakarta  
Tel: +62 822-4624-4728(Mr. Kukuh Iksan)  
E-mail: kukuh@xdredger.com

Website: [www.cnelectric.cn](http://www.cnelectric.cn) [www.xdredger.com](http://www.xdredger.com)



**X DREDGER**

# Custom Dredger Solution

German philosopher Leibniz said, "There are no two identical leaves in the world." This sentence seems to be equally applicable to dredging projects. Due to the unique geographical environment, construction purpose and capital budget of each dredging project, our technical experts need to customize better engineering solutions for each engineering project.

The service objectives of X dredger are:

- Make the dredging technology more suitable for the personalized needs of the project;
- Make the equipment performance and service higher than customers' expectations;
- Let customers look forward to continuous cooperation with X dredger;

Indeed, in order to achieve the above objectives, we cannot do without your sincere support. We hope you can fill in the following information carefully, so that x dredger can provide you with dredging scheme more efficiently.

1. **Project location and name**

:

2. **Project type (multiple choices)**

- river dredging  Reservoir Expansion  Port dredging  Wetland construction  
 Water, grass and river waste treatment  Sand mining  Coastal beach reclamation  
 Wetland park construction  Others

3. **Equipment type requirements (multiple choices)**

- Dredger  Sand dredger  Excavator floating platform  Working boat  Dredging pipeline  
 Cleaning and floating vessel  Amphibious excavator  Dredging accessories  Excavator accessories  
 Others

4. **Planned start time of the project :**

5. **Contact information**

\* Country:

\* Corporate name:

\* Name:

\* Email:

\* Telephone:

6. **Leaving a message.**

:



**X DREDGER**

**SHANGHAI X-DREDGER CO., LTD**

WHATSAPP / WECHAT: 0086 15902193567

E-MAIL: [GUANXU@126.COM](mailto:GUANXU@126.COM)

HEAD OFFICE: NO. 55 AONA ROAD, PUDONG NEW  
AREA, SHANGHAI

PRODUCTION BASE: QINGZHOU, SHANDONG, CHINA