

CN450 18 inch CUTTER SUCTION DREDGER



The CN X-dredger is equipped with state-of-the-art technology, including the following key features:

- low maintenance and efficient power distribution with diesel engine
- an easy execution dredge pump for easy maintenance
- environmentally friendly solutions, such as LED lighting
- easy maintenance using relays controls
- easy to operate for a single person from the operator's seat
- International Major Brand of Core Unit

RELIABLE AND EFFICIENT

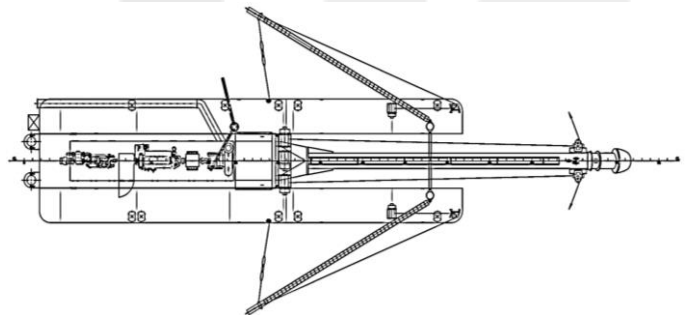
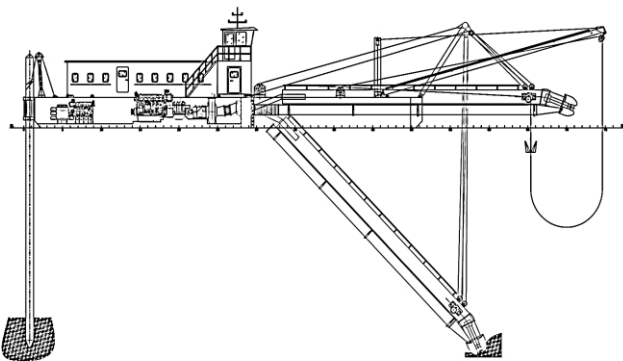
The X-dredger is well known for its robust construction, reliable operation and excellent performance. To date, The X-dredger has supplied more than 200 of these standard cutter suction dredgers in East Asia, Southeast Asia, Asia-Pacific, Middle East, South America, etc.

SAFE TRANSPORT AND EFFICIENT DELIVERY

CN X-dredgers can be dismantled for transport via road, rail or sea. A wide range of optional equipment is available, as well as complementary auxiliary equipment, such as work boats and discharge pipelines. These vessels are mostly custom built.

SERVICE AND SUPPORT

X-dredger can provide a complete package of spare parts, maintenance support, equipment training programmes, dredging advisory services and dredge operators for hands-on instruction and commissioning.



MAIN PARAMETERS

Dredging depth	15M
Discharge diameter	500MM
Total power	1397KW

DIMENSIONS

Hull size	39x8.6x2.25m
Powerhouse dome size	17.5x3.6x2.25m
Balance compartment size	28x2.5x2.25m
Mean draught with full bunkers	1.2m
Maximum standard dredging depth	15m
Workload	700 m ³ /h
Total weight	180T

ENGINE

Main engine brand	CUMMINS
Main engine power	1137±20kw
Main engine speed	1800r/min
Hydraulic Diesel Engine brand	CUMMINS
Hydraulic Diesel Engine power	260kw
Hydraulic Diesel Engine speed	1800 r/min

DREDGE PUMP

Brand	SHIJIAZHUANG
Model	DN450
Flow	3500 m ³ /h
Head	65m
Speed	490 r/min
Efficiency	70%
Discharge pipe	500mm

CUTTER

Diameter	1800mm
Speed	11/22/33 r/min
Power	180 kw

SPUD

Diameter*Thickness	Φ630*25
Length	21m
Quantity	2pcs
Weight	16.3T

SIDE WINCH

First layer pulling force	80KN
Wire rope diameter	24mm
Quantity	2 pcs

BRIDGE WINCH

First layer pulling force	80KN
Wire rope diameter	24mm
Quantity	1

ANCHOR SYSTEM

Length of anchor rod	15m
Anchor winch	40KN
Wire rope diameter	16mm

OTHER

Hydraulic system	Rexroth
Electrical components	ABB
Anchor weight	1000KG

PROTECTION CLASS OF ELECTRICAL EQUIPMENT

Lunge	IP22
Engine compartment	IP44
Bottom of mechanical room	IP56

OTHER FEATURES

- Standard design, allowing for short delivery times and competitive pricing
- Spare parts available from stock
- Fresh-water engine cooling system
- Can completely assembled and fully tested in river before delivery
- Dredge pump driven through integrated bearing block, clutch and reduction gearbox easy and fast assembly and dismantling
- Ready for operation on arrival at site
- Hydraulic ram for ladder hoisting
- Special tools are supplied for connecting and disconnecting pontoons and the cutter ladder, and for maintenance of the dredge pump and diesel engine
- Wide range of services and optional equipment available (including work boats, boosters and pipelines).

OPTIONAL

- Swing Angle Measurement
- Air conditioning
- Generator set
- Increased discharge pipeline diameter
- Increased dredging depth
- Life-cycle support packages (incl. training, technical support, etc.)
- Optional packages: HSE (health, safety and environment) and nautical.

SHANGHAI CENENG ELECTRIC CO., LTD

Address: No. 55 Aona Road, Shanghai, China
Tel: +86 (21) 58379916
E-mail: sales@xdredger.com

Indonesia branch:

PT. ADVANCE ELECTRIC MACHINERY

Address: 21th Floor Unit C JL. pasar Minggu, Pasar Minggukota Adm. Jakarta
Tel: +62 822-4624-4728(Mr. Kukuh Iksan)
E-mail: kukuh@xdredger.com

Website: www.cnelectric.cn www.xdredger.com



X DREDGER

Custom Dredger Solution

German philosopher Leibniz said, "There are no two identical leaves in the world." This sentence seems to be equally applicable to dredging projects. Due to the unique geographical environment, construction purpose and capital budget of each dredging project, our technical experts need to customize better engineering solutions for each engineering project.

The service objectives of X dredger are:

- Make the dredging technology more suitable for the personalized needs of the project;
- Make the equipment performance and service higher than customers' expectations;
- Let customers look forward to continuous cooperation with X dredger;

Indeed, in order to achieve the above objectives, we cannot do without your sincere support. We hope you can fill in the following information carefully, so that x dredger can provide you with dredging scheme more efficiently.

1. **Project location and name**

:

2. **Project type (multiple choices)**

- river dredging Reservoir Expansion Port dredging Wetland construction
 Water, grass and river waste treatment Sand mining Coastal beach reclamation
 Wetland park construction Others

3. **Equipment type requirements (multiple choices)**

- Dredger Sand dredger Excavator floating platform Working boat Dredging pipeline
 Cleaning and floating vessel Amphibious excavator Dredging accessories Excavator accessories
 Others

4. **Planned start time of the project :**

5. **Contact information**

* Country:

* Corporate name:

* Name:

* Email:

* Telephone:

6. **Leaving a message.**

:



X DREDGER

SHANGHAI X-DREDGER CO., LTD

WHATSAPP / WECHAT: 0086 15902193567

E-MAIL: GUANXU@126.COM

HEAD OFFICE: NO. 55 AONA ROAD, PUDONG NEW
AREA, SHANGHAI

PRODUCTION BASE: QINGZHOU, SHANDONG, CHINA