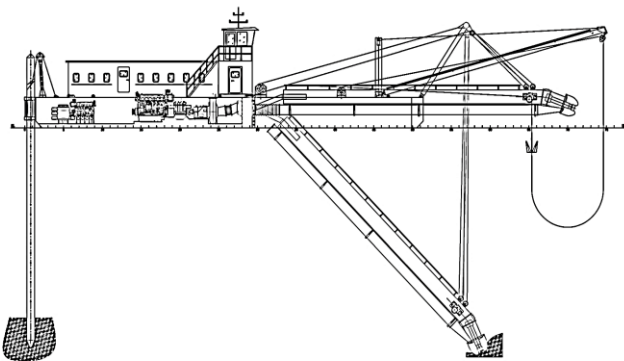


CN300 12 inch CUTTER SUCTION DREDGER



The CN X-dredger is equipped with state-of-the-art technology, including the following key features:

- low maintenance and efficient power distribution with diesel engine
- an easy execution dredge pump for easy maintenance
- environmentally friendly solutions, such as LED lighting
- easy maintenance using relays controls
- easy to operate for a single person from the operator's seat
- International Major Brand of Core Unit



RELIABLE AND EFFICIENT

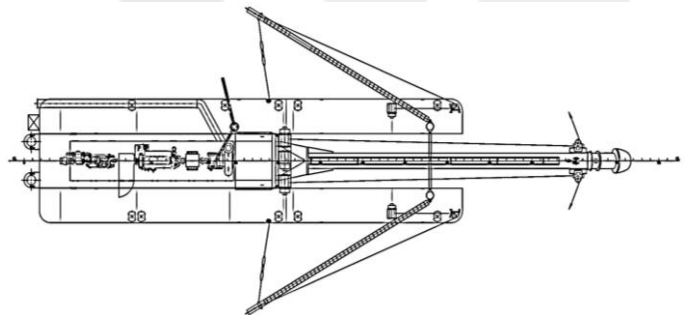
The X-dredger is well known for its robust construction, reliable operation and excellent performance. To date, The X-dredger has supplied more than 200 of these standard cutter suction dredgers in East Asia, Southeast Asia, Asia-Pacific, Middle East, South America, etc.

SAFE TRANSPORT AND EFFICIENT DELIVERY

CN X-dredgers can be dismantled for transport via road, rail or sea. A wide range of optional equipment is available, as well as complementary auxiliary equipment, such as work boats and discharge pipelines. These vessels are mostly custom built.

SERVICE AND SUPPORT

X-dredger can provide a complete package of spare parts, maintenance support, equipment training programmes, dredging advisory services and dredge operators for hands-on instruction and commissioning.



MAIN PARAMETERS

Dredging depth	12M
Discharge diameter	400MM
Total power	757W

DIMENSIONS

Hull size	31x7x2m
Powerhouse dome size	14x3.4x2m
Balance compartment size	23x1.8x2m
Mean draught with full bunkers	1.2m
Maximum standard dredging depth	12m
Workload	400 m ³ /h
Total weight	120T

ENGINE

Main engine brand	CUMMINS
Main engine power	557±20kw
Main engine speed	1350r/min
Hydraulic Diesel Engine brand	CUMMINS
Hydraulic Diesel Engine power	200kw
Hydraulic Diesel Engine speed	1500 r/min

DREDGE PUMP

Brand	SHIJIAZHUANG
Model	DN300
Flow	2000 m ³ /h
Head	50m
Speed	640 r/min
Efficiency	67.50%
Discharge pipe	400mm

CUTTER

Diameter	1450mm
Speed	11/22/33 r/min
Power	78/108 kw

SPUD

Diameter*Thickness	Φ425*20
Length	17m
Quantity	2pcs
Weight	7.2T

SIDE WINCH

First layer pulling force	60KN
Wire rope diameter	22mm
Quantity	2 pcs

BRIDGE WINCH

First layer pulling force	80KN
Wire rope diameter	24mm
Quantity	1

ANCHOR SYSTEM

Length of anchor rod	12m
Anchor winch	30KN
Wire rope diameter	14mm

OTHER

Hydraulic system	Rexroth
Electrical components	ABB
Anchor weight	400KG

PROTECTION CLASS OF ELECTRICAL EQUIPMENT

Lunge	IP22
Engine compartment	IP44
Bottom of mechanical room	IP56

OTHER FEATURES

- Standard design, allowing for short delivery times and competitive pricing
- Spare parts available from stock
- Fresh-water engine cooling system
- Can completely assembled and fully tested in river before delivery
- Dredge pump driven through integrated bearing block, clutch and reduction gearbox easy and fast assembly and dismantling
- Ready for operation on arrival at site
- Hydraulic ram for ladder hoisting
- Special tools are supplied for connecting and disconnecting pontoons and the cutter ladder, and for maintenance of the dredge pump and diesel engine
- Wide range of services and optional equipment available (including work boats, boosters and pipelines).

OPTIONAL

- Swing Angle Measurement
- Air conditioning
- Generator set
- Increased discharge pipeline diameter
- Increased dredging depth
- Life-cycle support packages (incl. training, technical support, etc.)
- Optional packages: HSE (health, safety and environment) and nautical.

SHANGHAI CENENG ELECTRIC CO., LTD

Address: No. 55 Aona Road, Shanghai, China
Tel: +86 (21) 58379916
E-mail: sales@xdredger.com

Indonesia branch:

PT. ADVANCE ELECTRIC MACHINERY

Address: 21th Floor Unit C JL. pasar Minggu, Pasar Minggukota Adm. Jakarta
Tel: +62 822-4624-4728(Mr. Kukuh Iksan)
E-mail: kukuh@xdredger.com

Website: www.cnelectric.cn www.xdredger.com



X DREDGER

Custom Dredger Solution

German philosopher Leibniz said, "There are no two identical leaves in the world." This sentence seems to be equally applicable to dredging projects. Due to the unique geographical environment, construction purpose and capital budget of each dredging project, our technical experts need to customize better engineering solutions for each engineering project.

The service objectives of X dredger are:

- Make the dredging technology more suitable for the personalized needs of the project;
- Make the equipment performance and service higher than customers' expectations;
- Let customers look forward to continuous cooperation with X dredger;

Indeed, in order to achieve the above objectives, we cannot do without your sincere support. We hope you can fill in the following information carefully, so that x dredger can provide you with dredging scheme more efficiently.

1. **Project location and name**

:

2. **Project type (multiple choices)**

- river dredging Reservoir Expansion Port dredging Wetland construction
 Water, grass and river waste treatment Sand mining Coastal beach reclamation
 Wetland park construction Others

3. **Equipment type requirements (multiple choices)**

- Dredger Sand dredger Excavator floating platform Working boat Dredging pipeline
 Cleaning and floating vessel Amphibious excavator Dredging accessories Excavator accessories
 Others

4. **Planned start time of the project :**

5. **Contact information**

* Country:

* Corporate name:

* Name:

* Email:

* Telephone:

6. **Leaving a message.**

:



X DREDGER

SHANGHAI X-DREDGER CO., LTD

WHATSAPP / WECHAT: 0086 15902193567

E-MAIL: GUANXU@126.COM

HEAD OFFICE: NO. 55 AONA ROAD, PUDONG NEW
AREA, SHANGHAI

PRODUCTION BASE: QINGZHOU, SHANDONG, CHINA